



**Modular Cooking Range Line  
thermaline 80 - 700 mm Open base,  
GN conform, 1 Side (H2) - H=550**

ITEM # \_\_\_\_\_

MODEL # \_\_\_\_\_

NAME # \_\_\_\_\_

SIS # \_\_\_\_\_

AIA # \_\_\_\_\_



**588327 (MAIBDAGOOO)**      Open Base, one-side  
operated, GN - H2

### Short Form Specification

**Item No.** \_\_\_\_\_

700 mm wide open base compartment to store pots, pans, sheet pans, etc. with hygienic design and round edges. Unit constructed according to DIN 18860\_2 with 70 mm recessed plinth. Internal frame for heavy duty sturdiness in stainless steel. Flat surface construction, easily cleanable. Open storage space in the base accepts GN 1/1 containers. IPX5 water resistant certification. Configuration: One-side operated freestanding base, hygienic class H2.

### Main Features

- IPX5 water resistance certification.
- All major components may be easily accessed from the front.
- THERMODUL connection system creates a seamless work top when units are connected to each other thus avoiding soil penetrating vital components and facilitating the removal of units in case of replacement or service.
- Unit constructed according to DIN 18860\_2 with 70 mm recessed plinth.

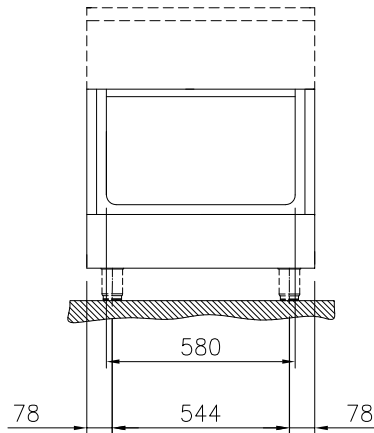
### Construction

- Hygienic design of the open base compartment with large round edges.
- 2 mm top in 1.4301 (AISI 304).
- Flat surface construction with minimal hidden areas to easily clean all surfaces
- Internal frame for heavy duty sturdiness in stainless steel.
- Storage space in the base of the appliance that can accept GN1/1 containers.

**APPROVAL:** \_\_\_\_\_

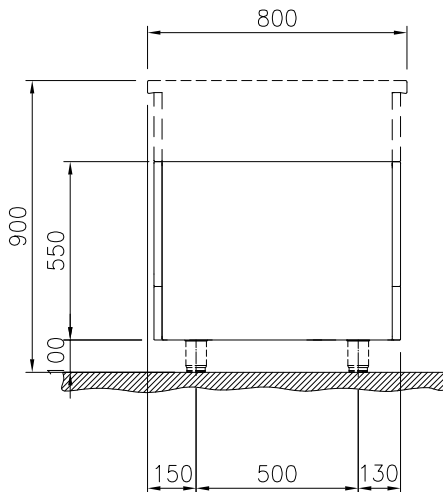


Front

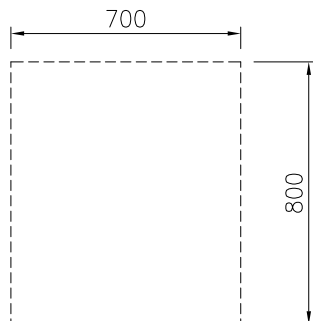

**Key Information:**

External dimensions, Width:	
588327 (MA1BDAG000)	700 mm
External dimensions, Depth:	800 mm
External dimensions, Height:	550 mm
Cupboard Cavity Dimensions (width):	580 mm
Cupboard Cavity Dimensions (height):	330 mm
Cupboard Cavity Dimensions (depth):	740 mm
Net weight:	21 kg

Side



Top



**Optional Accessories**

- Stainless steel side panel, 800x800mm, freestanding PNC 912508
  - Stainless steel front kicking strip, 700mm width PNC 912597
  - Stainless steel side kicking strips left and right, freestanding, 800mm width PNC 912619
  - Stainless steel side kicking strips left and right, against the wall, 800mm width PNC 912622
  - Stainless steel side kicking strips left and right, back-to-back, 1610mm width PNC 912625
  - Stainless steel plinth, against wall, 700mm width PNC 912805
  - Stainless steel plinth, freestanding, 700mm width PNC 912824
  - Stainless steel panel, 800x800mm, against wall, left side PNC 913094
  - Stainless steel panel, 800x800mm, flush-fitting, against wall, right side PNC 913098
  - Back panel, 700x450mm, for bases one-side operated PNC 913181
  - Stainless steel side panel, left, h=800 PNC 913216
  - Stainless steel side panel, right, h=800 PNC 913217
  - Perforated shelf for warming cabinets and cupboard bases (one-side operated TL80-85-90 and two-side operated for TL80) PNC 913234
  - Side reinforced panel only in combination with side shelf, for freestanding units PNC 913257
  - Side reinforced panel only in combination with side shelf for against the wall installations, left PNC 913264
  - Side reinforced panel only in combination with side shelf, for against the wall installations, right PNC 913266
  - Side reinforced panel only in combination with side shelf, for back-to-back installations, left PNC 913273
  - Side reinforced panel only in combination with side shelf, for back-to-back installation, right PNC 913274
  - Shelf fixation for TL80-85-90 one-side operated, TL80 two-side operated PNC 913281
  - Stainless steel dividing panel, 800x800mm, (it should only be used between Electrolux Professional thermaline Modular 80 and thermaline C80) PNC 913669
- Stainless steel side panel, 800x800mm, flush-fitting (it should only be used against the wall, against a niche and in between Electrolux Professional thermaline and ProThermetic appliances and external appliances - provided that these have at least the same dimensions) PNC 913685